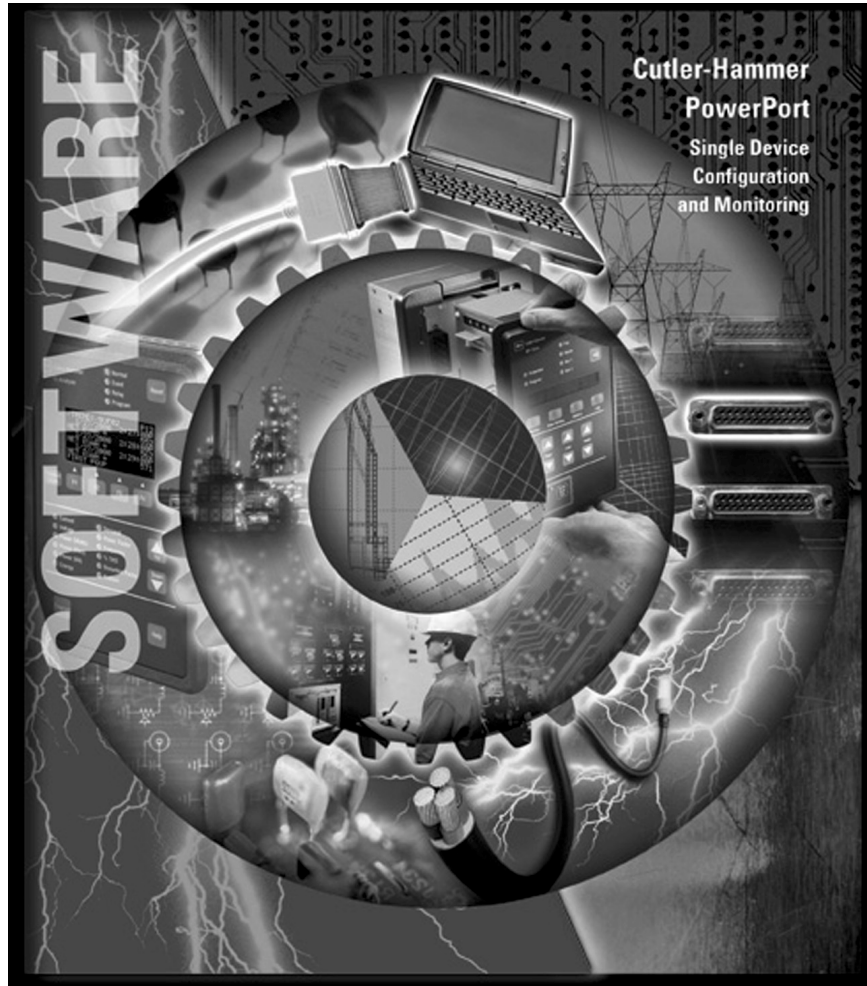




New Information

PowerPort™ Software



PowerPort General Description

PowerPort is utility software designed to simplify the use of the Cutler-Hammer Power Management devices listed on page 3. PowerPort is a portable, scaled-down version of the PowerNet Power Management System. It contains a subset of PowerNet functions that assist with setting and configuring devices as well as retrieving and viewing data.

PowerPort provides the following:

- Setpoints configuration
 - provides access to device settings
 - facilitates configuration of select devices
 - setpoints file can be created off-line and saved for future download
- Monitoring – enables real-time monitoring of a device's measured and calculated values via a user-friendly interface
 - Voltage
 - Current
 - Watts, VARs and VA
 - Energy
 - Frequency
 - Harmonics
 - RTD temperature
- Control commands – enables the user to initiate control commands for a supported device from a PC
- Motor start profiles – retrieves motor starting data and plots motor starting acceleration curve and MP-3000 overload protection curve

PowerPort supports direct communications between a PC and a device. It can communicate with devices networked over the Cutler-Hammer INCOM local area network with the use of a network interface card or module (MINT). PowerPort can be used off-line to view saved information and to develop setpoints and configuration files that can be downloaded to a device at a later time.

Specifications

Operating System

Windows 98™, Windows NT™, or Windows 2000™

Required Hard Drive Space

24 MB

Additional Hardware Requirements

The supported Cutler-Hammer devices may require an optional communication interface and/or a network translator. The IQ Analyzer, IQ DP-4000, MP-3000 and IQ Transfer devices require an optional communication module or "PONI" (Product Operated Network Interface) for communication to a PC. PowerPort software supports two types of PONIs, the RS-232 PONI and the IPONI (INCOM PONI).

The RS-232 PONI permits a direct connection to the computer via a standard 25 pin (male) to 9-pin (female connector) RS-232 cable. Please check your computer for proper connector type.

The IPONI is a Cutler-Hammer Network Interface module that lets you network up to several hundred devices providing a single access point to all of the connected devices. The network uses a shielded twisted pair of wires daisy chaining all the devices together up to distances of 10,000 feet. Please refer to INCOM Wiring Rules Version 1.1 for network connection details. The Digitrip 1150, Digitrip 3000, Digitrip 3200, Digitrip MV, Digitrip Optim 1050, Digitrip Optim 550, Digitrip Optim 750, MPCV Network Protector Relay, and Power Manager all have integral

INCOM communication interfaces and cannot be fitted with an RS-232 PONI. For these devices and for units fitted with the IPONI, an INCOM/RS-232 translator is required.

This translator converts from the INCOM protocol to an ASCII, RS-232 signal that the computer's serial interfaces can read. There are two types of INCOM to ASCII RS-232 translators available from Cutler-Hammer: the MINT (Master INCOM Network Translator) and the PMCOM5 (Power Manager Communication Module). The MINT is designed for permanent mounting and installation and the PMCOM5 is designed for portable applications.

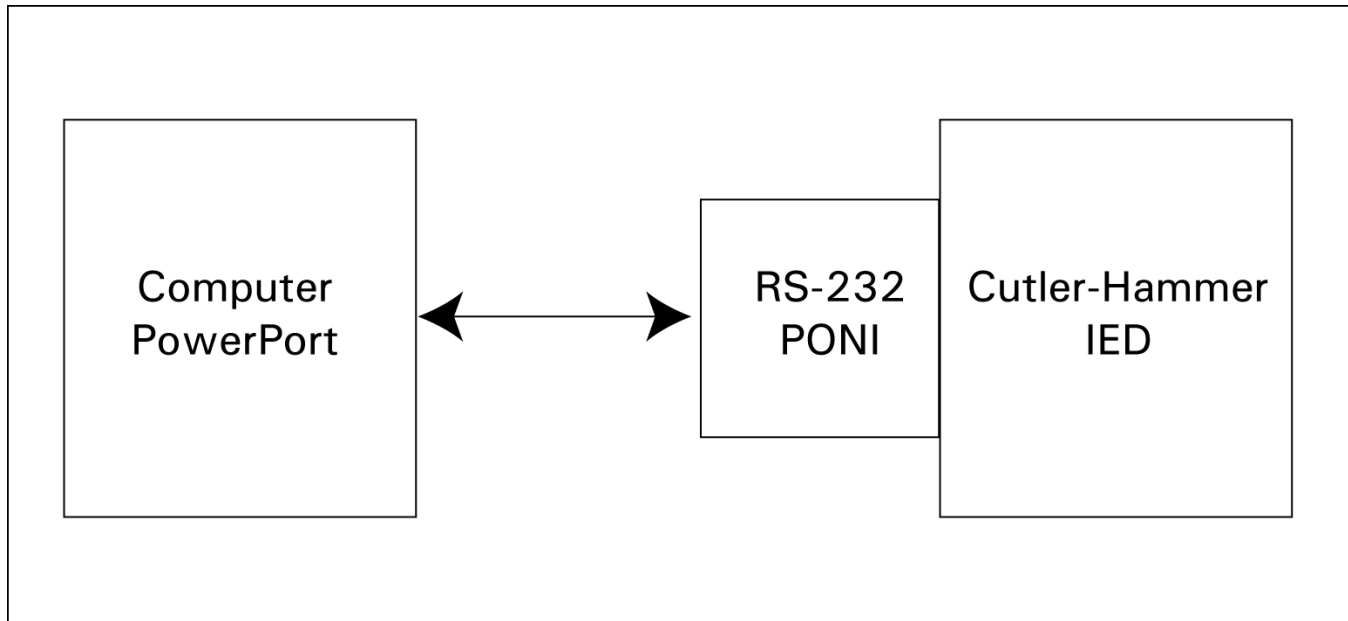


Figure 1. RS-232 PONI Connection

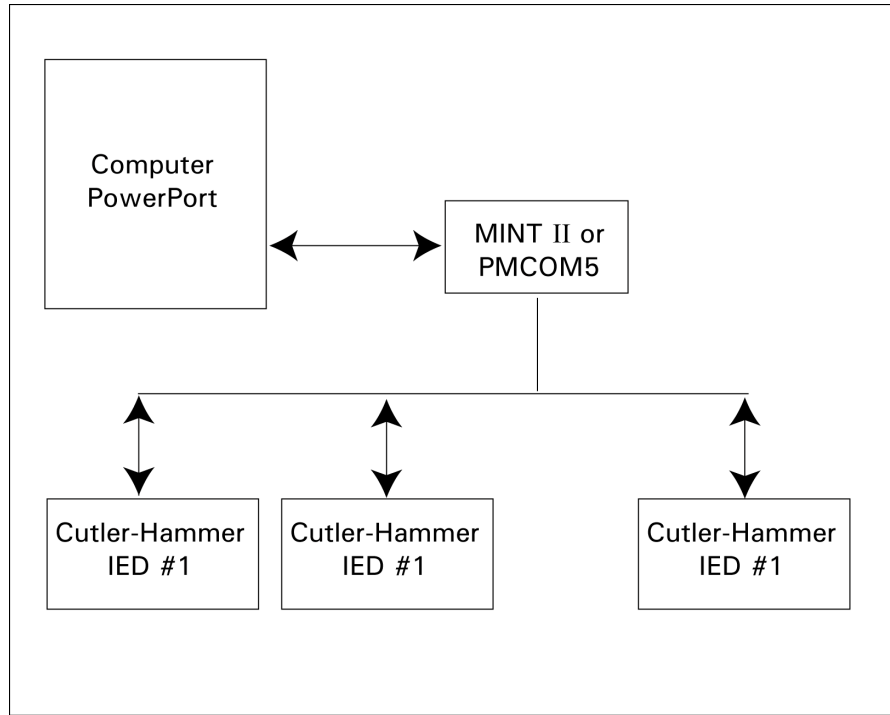


Figure 2. MINT II or PMCOM5 to Device via INCOM Connection

Table 1. Additional Hardware

| Device Name | Style Number |
|-------------|--------------|
| RS-232 PONI | 5299C57G02 |
| IPONI | 8793C36G01 |
| MINT II | 2D78552G02 |
| PMCOM5 | 66A5513G01 |

Note: Please refer to the appropriate instruction books for proper device installation and operation.

Applications

- Computer access to supported Cutler-Hammer devices
- Change settings and configure devices
- View and print settings
- View real-time monitored values
- Initiate device control commands
- Retrieve recorded data
- View motor start profiles from MP-3000 relay
- Work on-line with a live device
- Work off-line with a file

Supported Cutler-Hammer Devices

- Digitrip 1150
- Digitrip 3000
- Digitrip 3200
- Digitrip MV
- Digitrip Optim 1050
- Digitrip Optim 550
- Digitrip Optim 750
- IQ Analyzer
- IQ DP-4000
- IQ Transfer
- MP-3000
- MPCV Relay
- Power Manager

Communications

- Direct connection via RS-232 PONI or RS-232 port
- Via INCOM network connection (requires MINT or PMCOM5)

Data Available

- Device setpoints
- Control commands
- Measured and calculated values of voltage, current, power, etc.
- Motor start profiles
- Programmable logic settings within the device

Ordering Information

Download a copy of PowerPort at <http://www.ch.cutler-hammer.com/pmp/PowerPort.html>

Cutler-Hammer, a part of Eaton Corporation, is a worldwide leader providing customer-driven solutions. From power distribution and electrical control products to industrial automation, Cutler-Hammer utilizes advanced product development, world-class manufacturing, and offers global engineering services and support.

For more information on Cutler-Hammer products and services, call 1-800-525-2000 or 1-616-982-1059, for engineering services call 1-800-498-2678, or visit our web site at www.cutlerhammer.eaton.com

