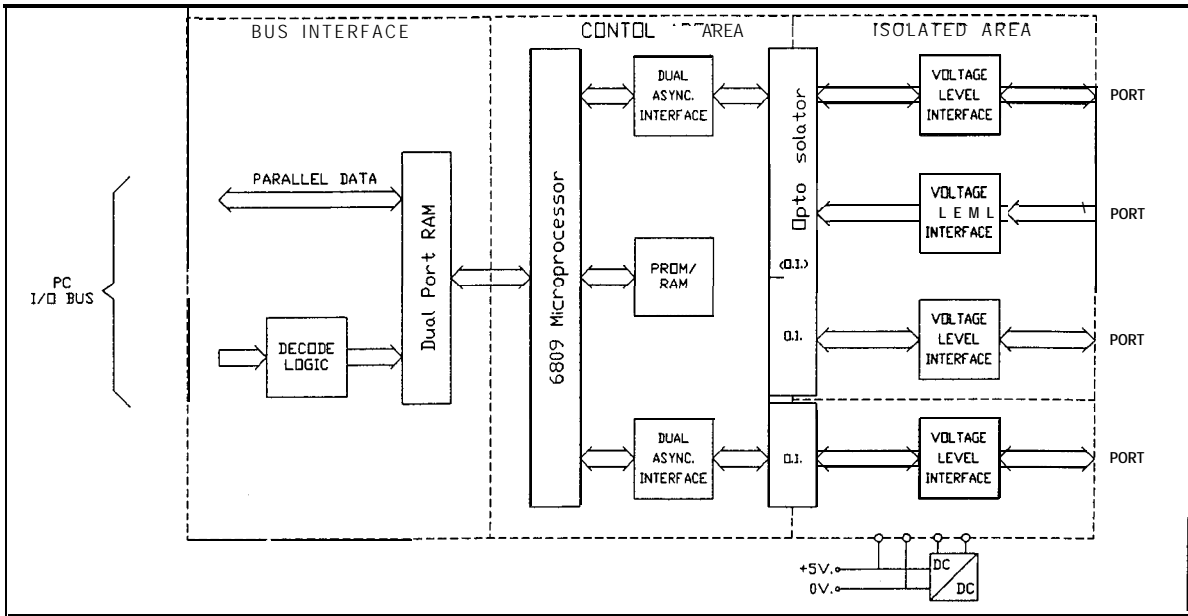
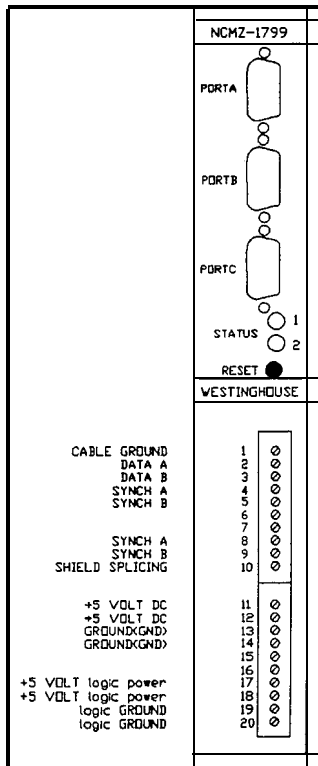


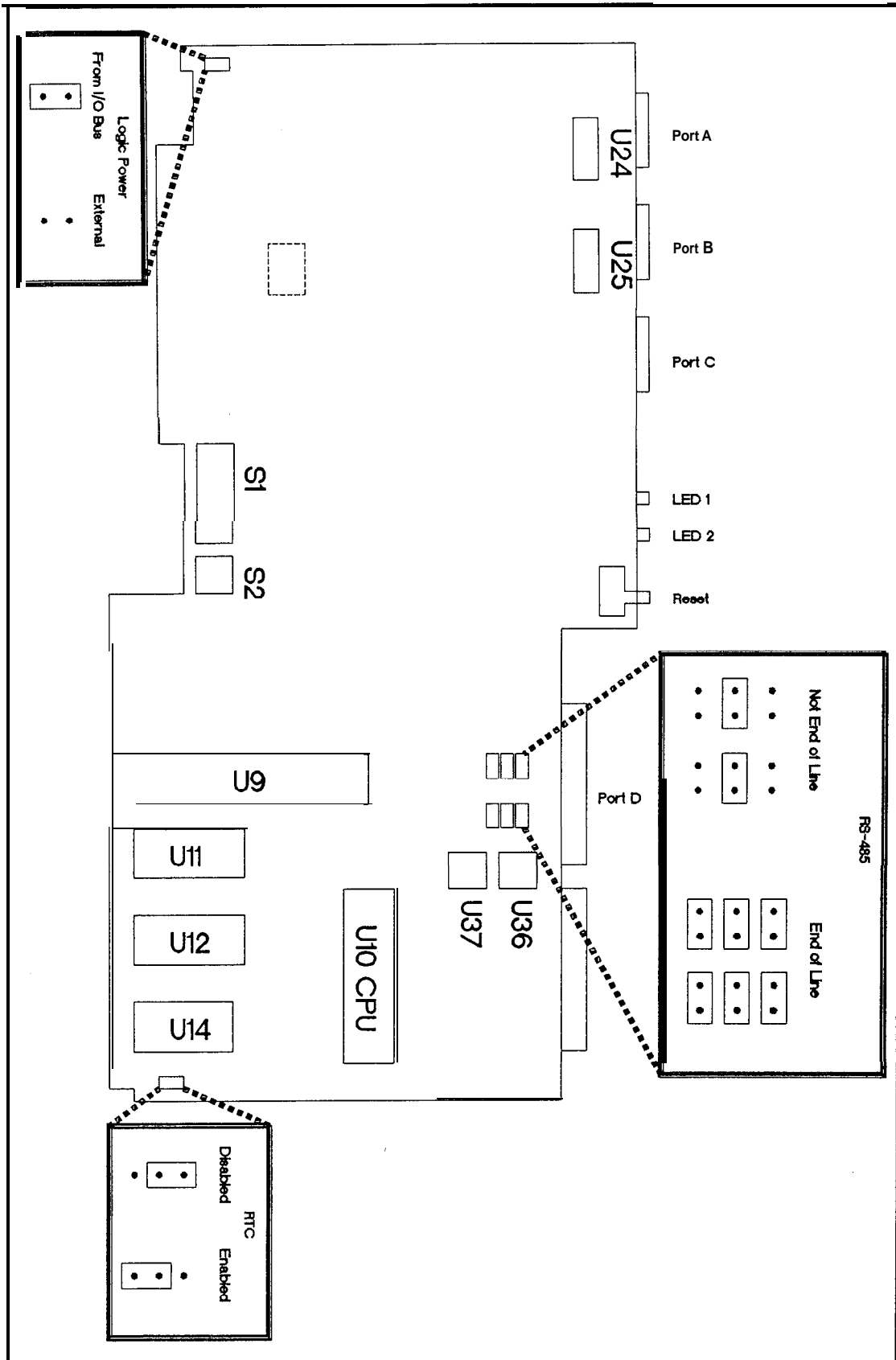
- 71 *Disk not ready*
Drive door not closed, or disk not aligned in drive.
- 72 *Disk media error*
Bad diskette. Reformat diskette to determine if it is reusable.
- 75 *Path/File access error*
You specified a name for a file that DOS thought was a subdirectory. Check spelling.
- 76 *Path not found*
DOS could not find the subdirectory requested.

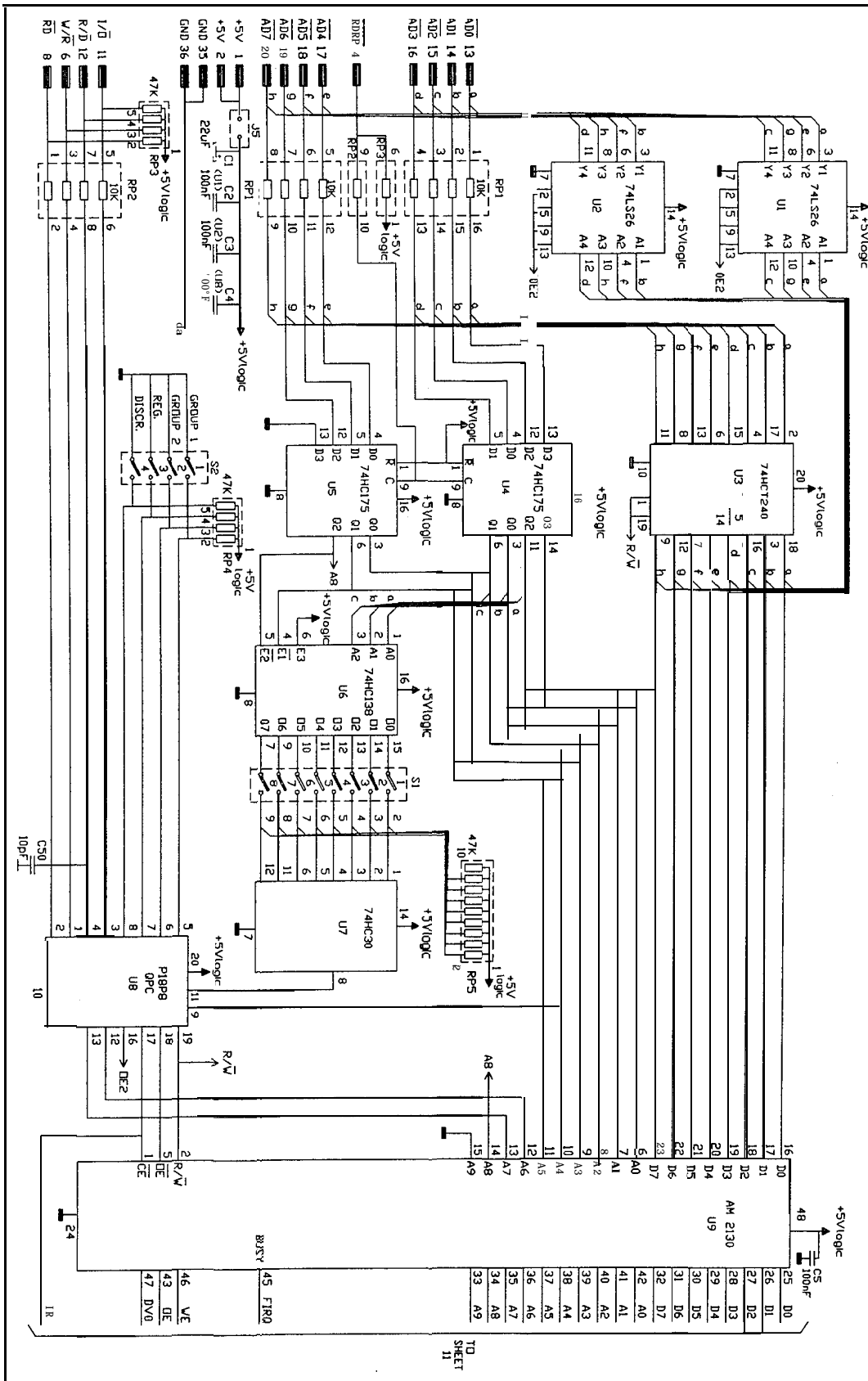
Appendix R Schematics

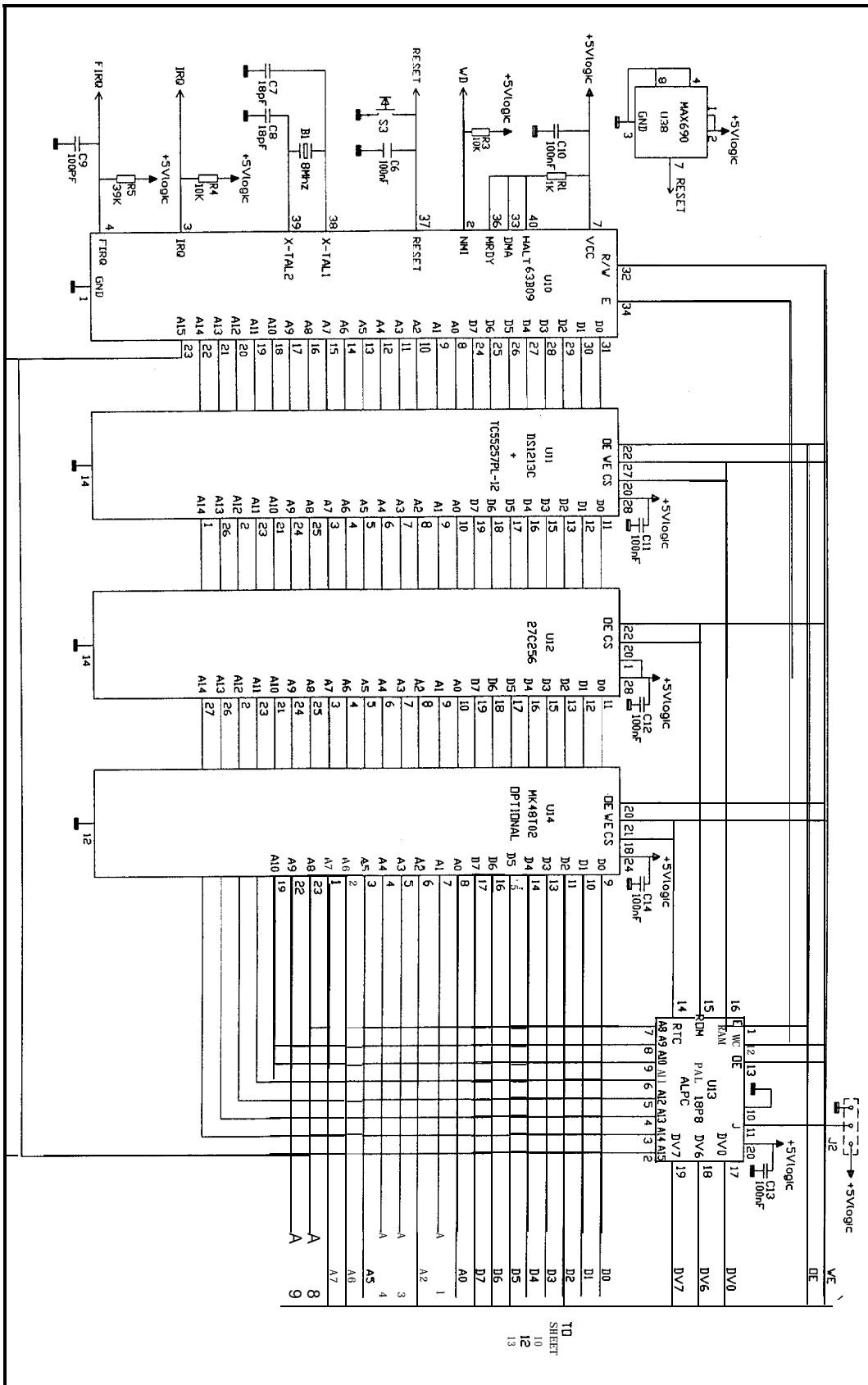


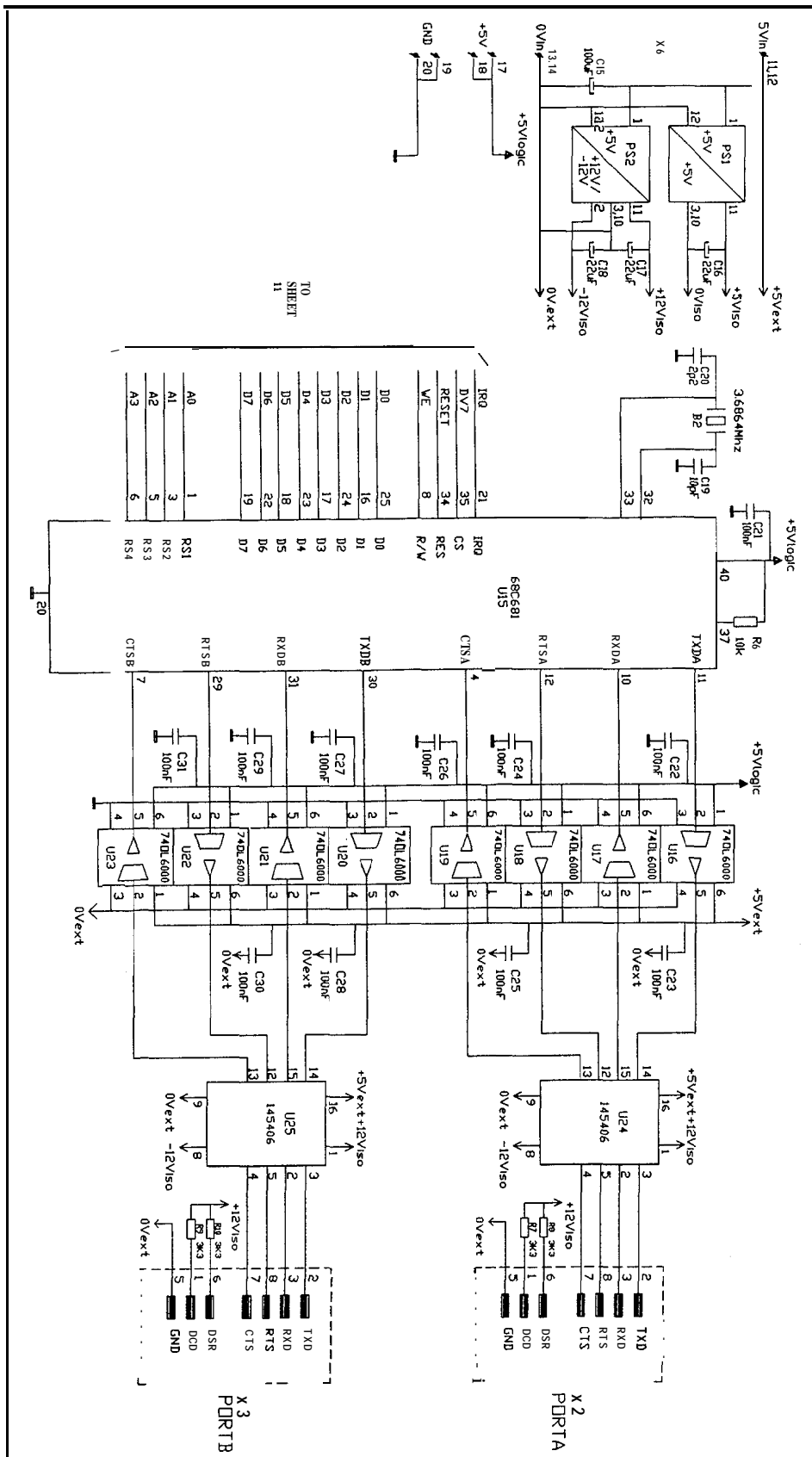
Block Diagram



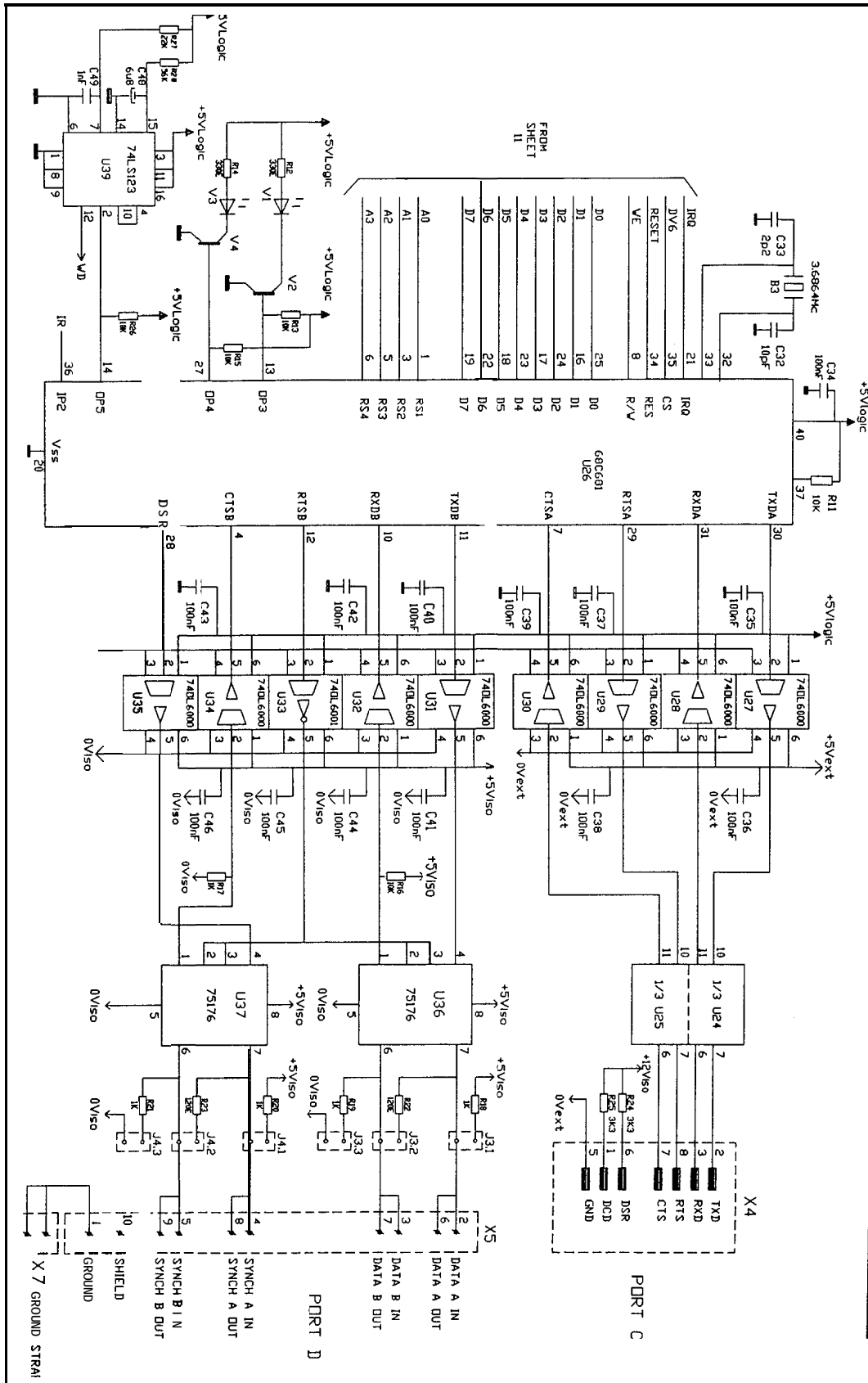








TO SHEET 11



Index

- Append (67)
- Arithmetic Operator (48)
- ASCII (7), (119)
- Assembly Language (5), (7)
- Auto (29), (34), (109)
- Automatic Restart (34)
- Backspace (120)
- BAS1100.LDR (83), (85), (98)
- BAS1200.LDR (98)
- Baud (5), (30), (57), (74), (109), (110), (119)
- Block mode (68)
- BREAD (36), (81), (95)
- Break (8), (27), (75), (97), (100), (119), (120)
- Break Disable (95), (100), (121)
- Buffer (116)
- Busy Flag (116)
- BWRIT (35), (81), (95)
- CE (24), (25)
- Change (68)
- Checksum (37)
- Claim (35), (36), (104), (110)
- CLOSE (29), (36), (79)
- Communication Error (113)
- Communications Error (97), (98)
- Computer Terminal (19)
- Conditional Test (45)
- Configure Port (108)
- Control A (21)
- Control H (21)
- Control X (21)
- CP (108)
- CRC (37)
- CTS (16), (58), (59), (74), (98)
- DAT\$ (24), (25), (89)
- Data Bits (57), (119)
- DATE (38), (89)
- DEL (21)
- DIM (29), (34), (38), (125)
- DIP (11)
- Dual Port RAM (91)
- DUART (71)
- Duplicate (68)
- DWLOAD (27), (39), (60), (65), (93)
- EDIT (21), (27), (39), (67), (120)
- Editor (21), (39), (67), (70), (71), (123)
- END (9), (29), (40)
- EPROM (5), (27), (38), (39), (60), (91)
 - Checksums (96)
- Equations (6)
- Erase (68)
- Error Code (116), (129)
- Error Messages (123)
- Error Register (117)
- Exception Code (113)
- EXEC (29), (35), (36), (40), (97)
- External Power (97)
- Find (69)
- Flag Register (117)
- FOR..NEXT (29), (41), (126)
- Force Table (112)
- Framing (25)
- Framing Error (116)
- Function Code (112)
- GET (29), (42), (126)
- GOSUB (29), (43), (120), (125)
- GOTO (29), (44), (120), (125)
- Help (70)
- Hexadecimal (30), (58)
- HR (24), (44), (121)
- HR0005 (97), (109), (116)
- HR0006 (113)
- I/O Rack (11)
- IF..THEN (29), (45), (125)
- IG (24), (45), (76), (121)
- INPUT (9), (29), (46), (64), (125)
- Input Buffer (29), (42), (49), (51)
- Insert (69)
- INSTR (29), (46), (126)
- Interpreter (7), (71)
- Interrupt Vector (72)
- Invalid Address (113)
- Invalid Function Code (113)
- Invalid Quantity (113)
- IR (24), (47), (76), (117), (121)
- Jumpers (132)
- KS (24), (25)
- KS Bit (89)
- LI Network (75)
- Ladder Checksum (117)
- Ladder Program (5), (83)
- LAN (95)
- LED (19), (47), (109), (113)
- LEDOFF (30)
- LEDON (30)
- LET (30), (48)
- Line Driver (16)
- LINE INPUT (30), (49)
- Line Numbers (6), (21), (99)
- LIST (8), (9), (21), (27), (49), (69), (120)
- LLIST (27), (50)
- LOAD (8), (27), (50), (120)
- LOC (24), (25), (30), (42), (51)

- Local Echo (7), (57)
- Loop Back Diagnostic (113)
- Machine Code (7)
- Master-Slave (118)
- MBRCV (35-37), (52)
- MBXMT (35-37), (53)
- Memory Map (71)
- MID\$ (30), (54), (126)
- Modbus (52), (95), (103), (109)
- Modbus C (103), (106)
- Modbus D (103), (108)
- Modbus Diagnostics (116)
- Modbus Function Codes (52), (103)
- Mode Register (117)
- Mode Switch (108)
- modem (15), (16)
 - Dial-up (16)
 - Hayes (16)
 - Multi-drop (16)
- Monitor Table (117)
- Motorola **Exorcisor** (92)
- Move (69)
- Multitasking (5), (24), (64)
- NC799COM.EXE (7), (119)
- NEW (8), (9), (19), (27), (54)
- NEXT (30), (41), (54), (126)
- NMI (101)
- Non-Maskable Interrupt (101)
- Numerical Expression (43), (44)
- OG (24), (55), (76), (121)
- OPEN (30), (55), (79)
- OR (24), (55), (76), (117), (121)
- Overrun (25), (116)
- Parameter Table (109)
- Parity (19), (25), (57), (109), (110), (119)
- Parity Error (116)
- Password (57)
- PAUSE (30), (55), (64)
- PC1 100 (98)
- PC1200 (72), (97)
- PEEK (30), (56), (64), (116)
- Peer-to-Peer (118)
- POKE (30), (56), (58), (59), (64)
- PORT (17), (19), (30), (38), (57-59), (64)
- Port Sharing (104), (110)
 - Timeout (95)
- Power Failure (34)
- Power Supply (5), (19)
- PRHEX (30), (58)
- PRINT (9), (30), (59), (120), (125)
- Printer (16)
- PROGRAM (27), (39), (60), (126)
- Program Loader (103), (116)
- Program Locking (5), (95)
- Promprogrammer (27), (39), (60), (65)
- Quit (70)
- Real Time Clock (5)
- Register Checksum (117)
- Release (35), (36), (104), (110)
- REM (30), (60)
- Remark (60)
- Remarks (30)
- Remote I/O (121)
- Reset Button (19), (39), (97), (101)
- Response Time (113)
- Restart (99), (101)
- RETURN (30), (61), (120), (125)
- RND (24), (25), (30)
- RS-232 (5)
- RS-485 (5), (97), (108)
- R T S (15), (35), (36), (58), (59), (74), (79)
 - Forced Low (95)
- RTU Address (109), (112), (116)
- RUN (7), (9), (27), (34), (61), (120)
- SAVE (8), (27), (62), (120)
- SAVE/LOAD (77)
- Schematics (131)
- Serial Port Pinouts (87)
- SETDATE (62), (89), (127)
- SET-TIME (62), (89), (127)
- SIZE (27), (62)
- Stack (71)
- Stop Bits (19), (57), (119)
- STR-LINK (77)
- String Length (24)
- Subroutine (24), (29), (40), (43), (61)
- SUSPEND (30), (58), (59), (63)
- Suspend Timer (72)
- Switch Settings (76), (98)
- Switches (11)
- SYNC (35), (36), (63), (81)
- System Timer (72)
- TAB (31), (58), (59)
- Tape (36), (77), (79)
- Task (24), (30), (31), (64), (126)
- Terminal Emulation (119)
- Terminal Program (7)
- Termination Resistors (97)
- TIM\$ (24), (25), (89)
- TIME (65), (89)
- Timeout (95)
- TM (24), (25)
- Troubleshooting (97), (108)
- TxRx (98)
- Unsigned Math (72), (82)
- UPDWLOAD.EXE (92)

UPLOAD (27), (60), (65)

VAL (31), (65)

Variable

Array (6)

Byte (6)

Global (6), (24), (72), (125)

Integer (6)

Local (6), (24), (72), (125)

Numeric (24)

PC Related (24)

Range (6), (24), (125)

Special (24), (25)

string (5), (6), (24), (30), (46),
(72), (126)

Subscripted (6), (24), (125)

VERIFY (8), (120)

Watchdog Error (19), (97), (99), (101)